



*Where Function And Elegance Meet Under The Sun*

635 Wilmer Ave. Orlando, Fl. 32808  
Ph. 407.898.6001 Fx. 407.852.1313  
[www.theawningfactory.com](http://www.theawningfactory.com)  
[info@theawningfactory.com](mailto:info@theawningfactory.com)

# DEDICATION

For over 30 years, **The Awning Factory** has been serving Central Florida and the surrounding areas with quality shade products and solutions. It is our mission to provide a service for our customers that is tailored to individual needs and using the right products to fulfill those needs.

**The Awning Factory** has earned its place as Central Florida's premier awning manufacturer and installer. Our award-winning 22,000 SF production facility has every angle of fabrication and finishing covered, including a dedicated 2,000 SF sewing department. Our professional staff of welders, painters, installers and designers work with you to produce a high-end product to complete any project.

As a specialty contractor, we understand the growing needs of architects and engineers. We provide detailed specifications in CAD and PDF upon request.



## WE SHIP & INSTALL NATIONWIDE!

IFAI Award Winner



[www.theawningfactory.com](http://www.theawningfactory.com)

407.898.6001



# FABRIC AWNINGS

These types of awnings are very diverse and also, quite affordable. A **Fabric Awning** can be built to suit a number of applications and the variety of fabric options and colors makes it one of the most popular shade awnings. Design applications for these types of awnings are almost endless because the flexibility of the fabric allows for a wide array of fabrication options for the frame. Whatever your needs, we can put together a design that will work for you.

**Fabric Awning** designs range from a basic flat style to rounded and dome styles. Here are a couple examples.

**Standard:** Basic wedge awning, which is most typical.

**Bahama:** Almost like standard in design but the ends are left open.

**Dome (Bubble):** Rounded, very popular style awning.

**Quarter Barrel:** Curved face awning with flat ends.

**Gable:** Pointed canopy style awning used for entrances.

**Cabana:** Popular tent style awnings for pool decks. They can be designed with many artistic elements and curtains to fit all customer needs.



[www.theawningfactory.com](http://www.theawningfactory.com)

407.898.6001

# METAL AWNINGS

**Metal Awnings** are a very diverse and extremely durable awning option. The frames can be either aluminum or steel and they are engineered and built to withstand the elements. Locking, aluminum metal panels are generally used to cover the frame and provide excellent protection from both the sun and the wind. Frames and panels come in a number of styles and can be easily painted to match or accent buildings or their surroundings.

These type of awnings are often used when a fabric awning is just not an option. Location, exposure and hazards are just a few variables involved in determining which awning is right for you

Like the Fabric Awnings, there are a variety of standard style **Metal Awnings** that can be produced. There is also the ability to customize the awnings to better provide protection if needed.

All of our metal structures can be finished with your choice of color. We do this with a professional high quality Kynar or powder coating method to give you the perfect finish to your awning frames and panels.



[www.theawningfactory.com](http://www.theawningfactory.com)

407.898.6001



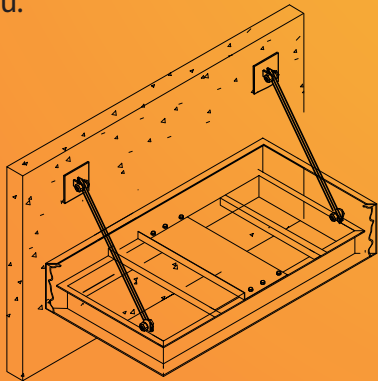
# METAL CANOPIES

Other great products that we offer and produce, in-house, are **Metal Canopies**. They provide both shade and protection as well as providing proper drainage to divert damaging rain water. These shade structures usually project off a building or can be freestanding. The design can be either typical or creative, yet still remain completely practical.

Many commercial businesses have incorporated the **Metal Canopy** look into the design of their buildings to attain protection as well as a modern look.

Although there are many design elements and materials involved in the production of **Metal Canopies**, the basic idea remains the same. A gutter frame system and interlocking metal pans make up the canopy structure, while choice of support arms, canopy shape, posts and finishes make up the rest.

Whatever the need is, we can customize to fit any application and achieve the look that is right for you.



[www.theawningfactory.com](http://www.theawningfactory.com)

407.898.6001

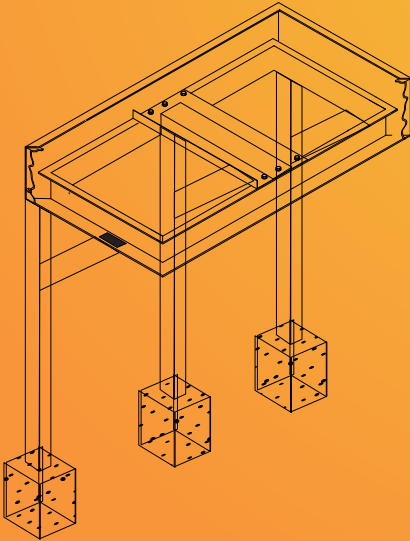
# WALKWAYS

Large schools, malls and theme parks adopt the use of these systems to cover their walkways to provide cover for their guests and employees. These provide shelter between buildings that would normally be open to the elements.

**Walkways** also come in a large array of styles, sizes and finishes that you may choose. Sidewalks vary in sizes and we can custom build a walkway structure to provide the most coverage and protection to the pedestrians walking beneath.



| STANDARD KYNAR FINISHES |               |                |             |             |
|-------------------------|---------------|----------------|-------------|-------------|
| SLICKEN                 | PAUCHENT      | FLORIND        |             |             |
| AGED BROOK              | SHARON BREE   | FOURTY GREEN   | FIFTY GREEN | SEVEN TEN   |
| WINTER STAGE            | CHARCOAL GREY | SEMI OAK GREEN | INDIAN BLUE | TESSA COPPA |
| DARK BROOK              | ZINC GREY     | BRIGHT GREEN   | ROYAL BLUE  | COLORADO    |
| CORVUS DRUM             | WHITE BLACK   | TEAL GREEN     | SLIMLINEY   | RED HOT     |



[www.theawningfactory.com](http://www.theawningfactory.com)

407.898.6001



# SPECIALTIES

**The Awning Factory** has the ability to think outside the box when it comes to designing and building for our customers. Doing all of our fabrication, in house, allows us the creativity to take an idea and see it through to the end.

This also allows us to fabricate, not only standard awnings, but large custom awnings, canopies, walkways and aluminum louvers to accent a building's architecture and style.

Aside from metal fabricating, our professional, in house, sewing facility can custom make a variety of unique canvas, vinyl and tension structures to fulfill even the most difficult of needs.

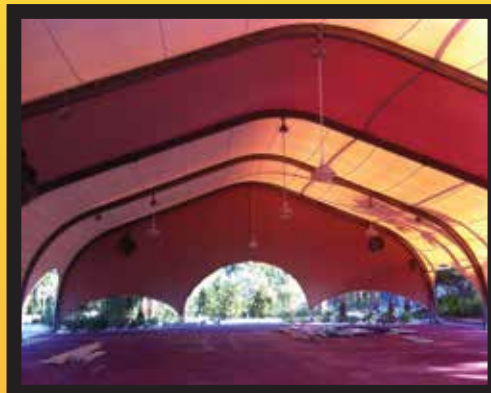
Please feel free to browse our website and make an appointment to come sit down with our awning specialists and put your ideas into motion.



---

**WE HAVE GOT YOU  
COVERED  
UNDER ONE ROOF!**

---



[www.theawningfactory.com](http://www.theawningfactory.com)

**407.898.6001**



*Producing Quality Awnings For Over 30 Years!*

635 Wilmer Ave. Orlando, Fl. 32808

Ph. 407.898.6001 Fx. 407.852.1313

[www.theawningfactory.com](http://www.theawningfactory.com)

[info@theawningfactory.com](mailto:info@theawningfactory.com)